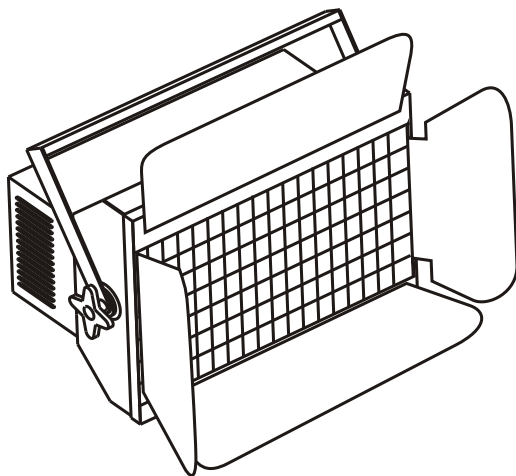


English



RP-2000A

USER'S MANUAL



Please read before use

Content

Content

Content	1
Feature	2
General Instruction	3
Controls and Functions	4
Operation	
Chase Mode	6
Receive Mode	7
Separate and Parallel	8
Link-up	9
Technical Specification	10

Features

Thank you for your purchase. This product features include:

- 4 channel chaser with 16 built-in programs
- 4 channel DMX dimmer pack with 4 individual DMX addresses
- MIDI and DMX input are selectable
- Serves as one channel or four channel dimmer pack
- Red, Blue, Green and Yellow color effects
- Linkup connection
- Power failure memory

General Instruction

Read the instruction in this manual carefully and thoroughly, as they give important information regarding safety during use and maintenance. Please keep this manual with the unit, in order to consult it in the future.



Warnings

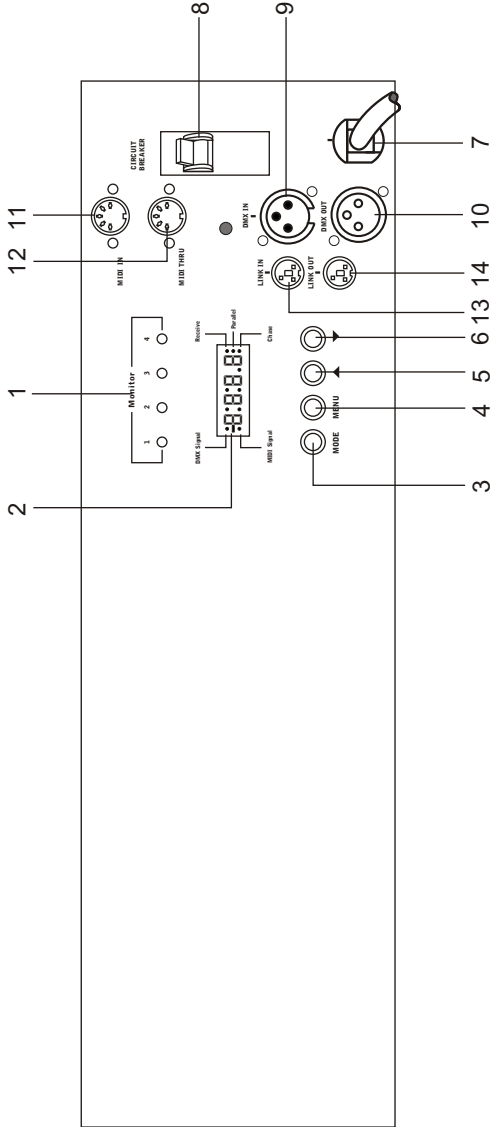
- This product must be earthed.
- DO NOT make any inflammable liquids, water or metal objects enter the unit.
- STOP using the unit immediately in the event of serious operation problem and either contact the nearest dealer for a check or contact us directly.
- Disconnect main power before re-lamping.
- Very hot lamp. Wait until it is cool before re-lamping.
- Intense heat. Avoid contact by persons and materials.



Cautions

- After having removed the packaging check that the unit is NOT damaged in anyway. If in doubt, DO NOT use it and contact your nearest dealer.
- This unit MUST only be operated by adults. DO NOT allow children to tamper or play with it.
- NEVER use the unit under the following conditions:
 - In places subject to excessive humidity.
 - In places subject to vibration or bumps.
 - In places with a temperature of over 45° C/113° F or less than 2° C/35.6° F.
- DO NOT dismantle or modify the unit.

Controls and Functions



Controls and Functions

1. Channel LED's: Indicate the activities of corresponding channels.
2. Segment Display: Reads current function state or activity.
3. Mode button: Selects operating mode from Receive/ Chase modes.
4. Menu button: Press to select desired menu setup. Each pressing changes the menu setup once.
5. Up button: Increase the display value.
6. Up button: Decrease the display value.
7. Power Input: AC 230V~50Hz, 2000 Watts max.
8. Circuit Breaker: 16A
9. DMX Input: This connector accepts DMX input signal.
10. DMX Output: This connector sends DMX input signal through to the next DMX device.
11. MIDI IN: This connector accepts MIDI Note Number.
12. MIDI THRU: This connector sends MIDI Note Number through to the next MIDI device.
13. LINK IN: This connector accepts the information from another unit.
14. LINK OUT: This connector sends the information to next unit.

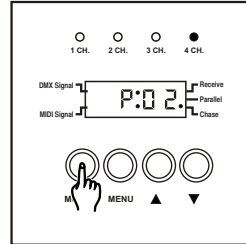
Additional: The following table is for your quick reference.

MODE	MENU			DISPLAY
Chase	Chase program			P:01 - P:16
	Chase speed			SP:01 - SP:99
	Master dimmer			d:000 - d:100
Receive	Midi-in channel	MODE + MENU	Separate / Parallel	▲ CH:01 - CH:16
	Note number			▼ N:001 - N:128
	Midi-in mode			N:01 / F:36
	Dmx channel			R:001 - R:512
	Master dimmer			d:000 - d:100

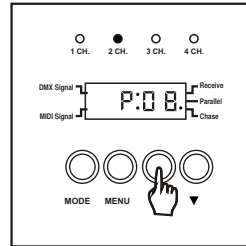
Operation

Chase Mode

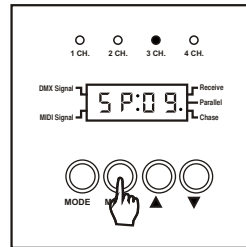
Press Mode Button to select Chase Mode.



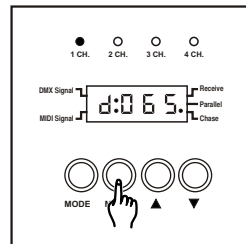
Tap ▲ Button or ▼ Button to your wanted chase from 16 different built-in chase.



Press Menu Button to adjust chase speed. Use ▲ Button or ▼ Button to get your wanted speed value.



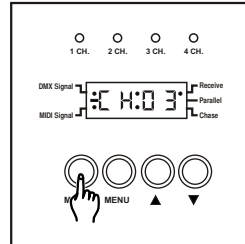
Press Menu Button to adjust light intensity of all four channel. Use ▲ Button or ▼ Button to get your desired dimmer value.



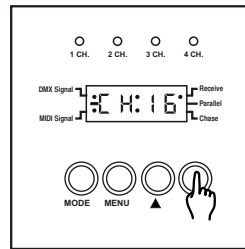
Operation

Receive Mode

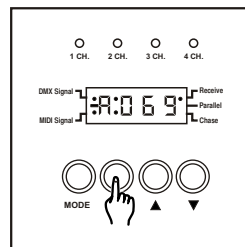
Press Mode Button to select Receive Mode.



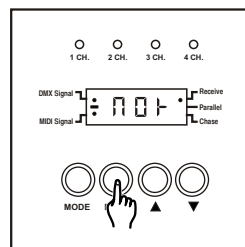
Use ▲ or ▼ Button to set MIDI in channels



Press Menu Button to select DMX addressing, the Segment Display shows "A" followed by three numbers.
Use ▲ or ▼ Button to adjust from 001-512.



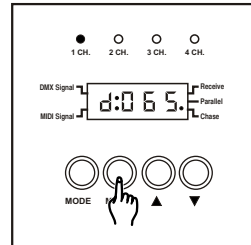
Press Menu Button until "Nor" appears, which indicate MIDI mode is normal. Press ▲ Button and Display Segment will read F:36 which indicates MIDI Mode is shifted to F:36 State.



Operation

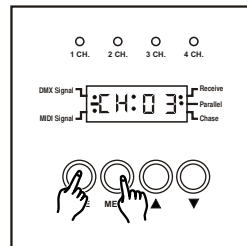
Receive Mode

Press Menu Button to select Master dimmer setting. Use ▲ or ▼ button to adjust the light intensity of all four channels.



Separate and Parallel

In Receive Mode, press Mode Button first, then press Menu Button, signal input method will switch between Separate and Parallel.



In Separate state, continuous 4 channel DMX signal and 21 Note Numbers can be received. 4 channels DMX signal and 1-4 Note Numbers control the intensities of 4 channels, Note Numbers 5-20 turn ON or OFF preset Programs 1-16, and the Velocity controls the intensity of the program. Note Number 21 controls the chasing speed.

In Parallel State, Note Number 1 and DMX channel 1 controls intensity of 4 channels. Note Numbers 5-20 turns ON or OFF preset 16 program, and the Velocity controls the intensity of the program. Note Number 21 controls the chasing speed.

Operation

Link-up

This product can work with more than one unit through link-up easily and conveniently. All other link-up units are controlled by the first one and change of work state set will change all.

There is time-delay with the max. 0.4S change when the function set change is transmitted to the next unit. All the link-up units have the same function state and work value. Output is the same but not Synchronous.

Note.1 Items and contents shown in Display Segment:

Item	Content
CH:0 1--CH: 16	MIDI-in channel
R:00 1--R: 128	MIDI Note Number
R:00 1--R:512	DMX start channel on receiving signal
P:0 1--P: 16	Chase or program
SP:0 1--SP:99	Chase speed (max. 99, min. 01)
d:000--d:100	Dimmer intensity
ROR	Normal MIDI Mode
F:36	MIDI Note Number start from 36 on receiving MIDI signal (N:001 is equal to N:036 in normal mode).

2 Press and hold down ▲ Button will quickly increase the value to the Max. Press and hold down ▼ Button will quickly decrease the value to the Min.

3 Link-up units should not amount too much as there is delay-time when transmitting messages to the next unit. Otherwise some units would face apparent time delay.

Technical Specification

Power Input	AC 230V~50Hz, 2000W max.
Lamp Type	Halogen 230V 500W
Circuit Breaker	16A
DMX In/Outt	3 pin female & male XLR socket
MIDI In/Thru	5 pin multiple socket
Dimensions	514x224x161mm
Weight(appro.)	7.5 Kgs



All Rights Reserved.